



## Dismantling Instructions The Boxer Bed MK I

Help Line 01327 226275

**This will require two people.**

Remove the mattress and empty the contents of the drawers

Remove all drawers and the bedside table/drawers

Undo the slat fixing screws (7,0) and remove the slats.

From inside the side carcass, remove the four machine screws (1,3) connecting the headboard to the carcass.

Undo the woodscrew fixing the centre support rail to the end carcass and gently tap it from underneath with a mallet to split the connector at the head end. Remove the centre rail.

Undo the woodscrews (1,2) fixing the side surround rails to the carcass and remove the side surround rails (5,0) and centre support rail at the head end.

Undo the four carcass connecting screws (1,1) from inside the end drawer unit. You may require help to hold the head of the screws in the side drawer units to prevent them turning.

Lift and remove each side carcass (2,0 and 3,0) in turn from the metal under-frame.

Lift the end carcass (1,0) from the under-frame (6,0).

Dismantle the under-frame by removing the machine screws and gently tapping apart.

Please note: earlier beds were supplied with fixed feet on the under-frame. This was superseded by the fitment of castors.

For assembly of the bed, carry out the procedure in reverse order.

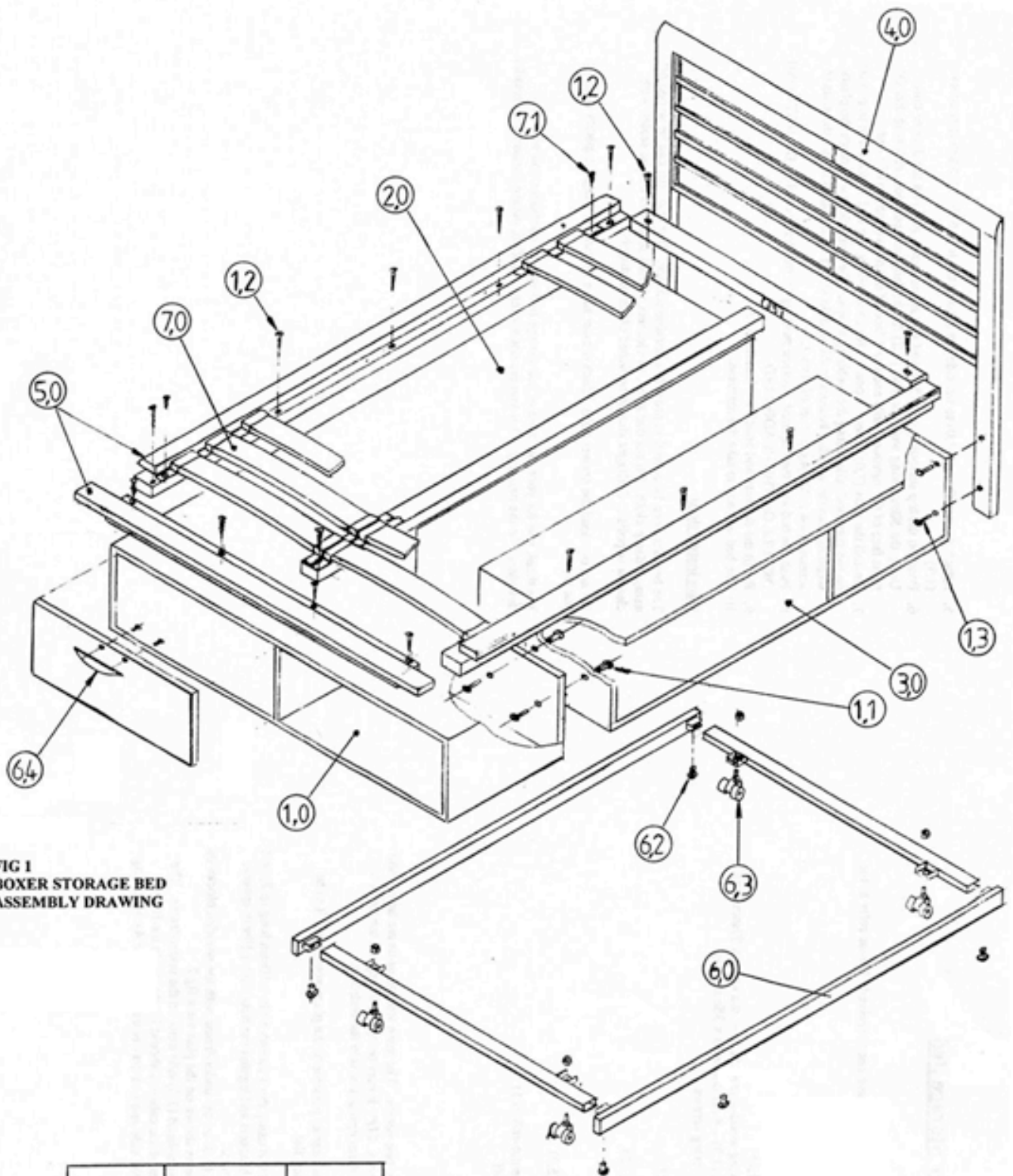


FIG 1  
BOXER STORAGE BED  
ASSEMBLY DRAWING

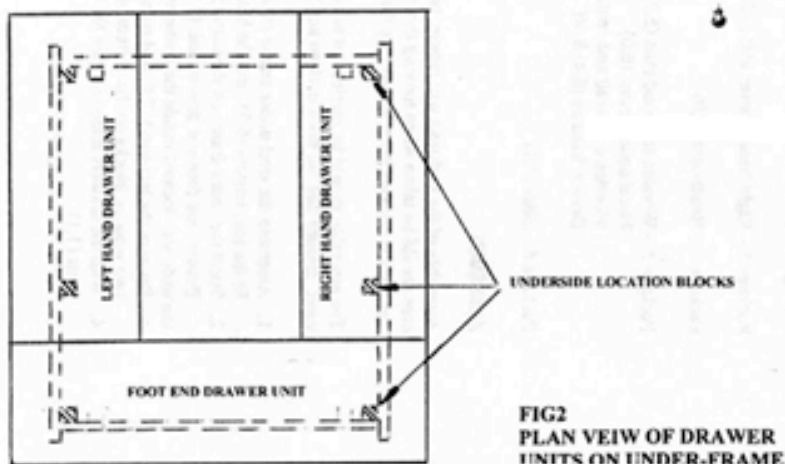


FIG 2  
PLAN VIEW OF DRAWER  
UNITS ON UNDER-FRAME