





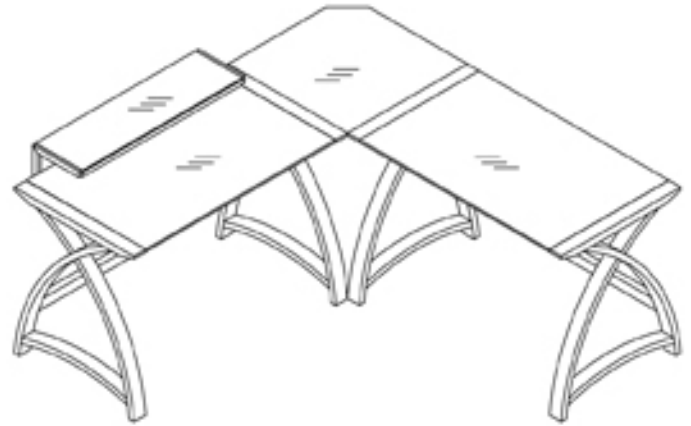


Living Storage

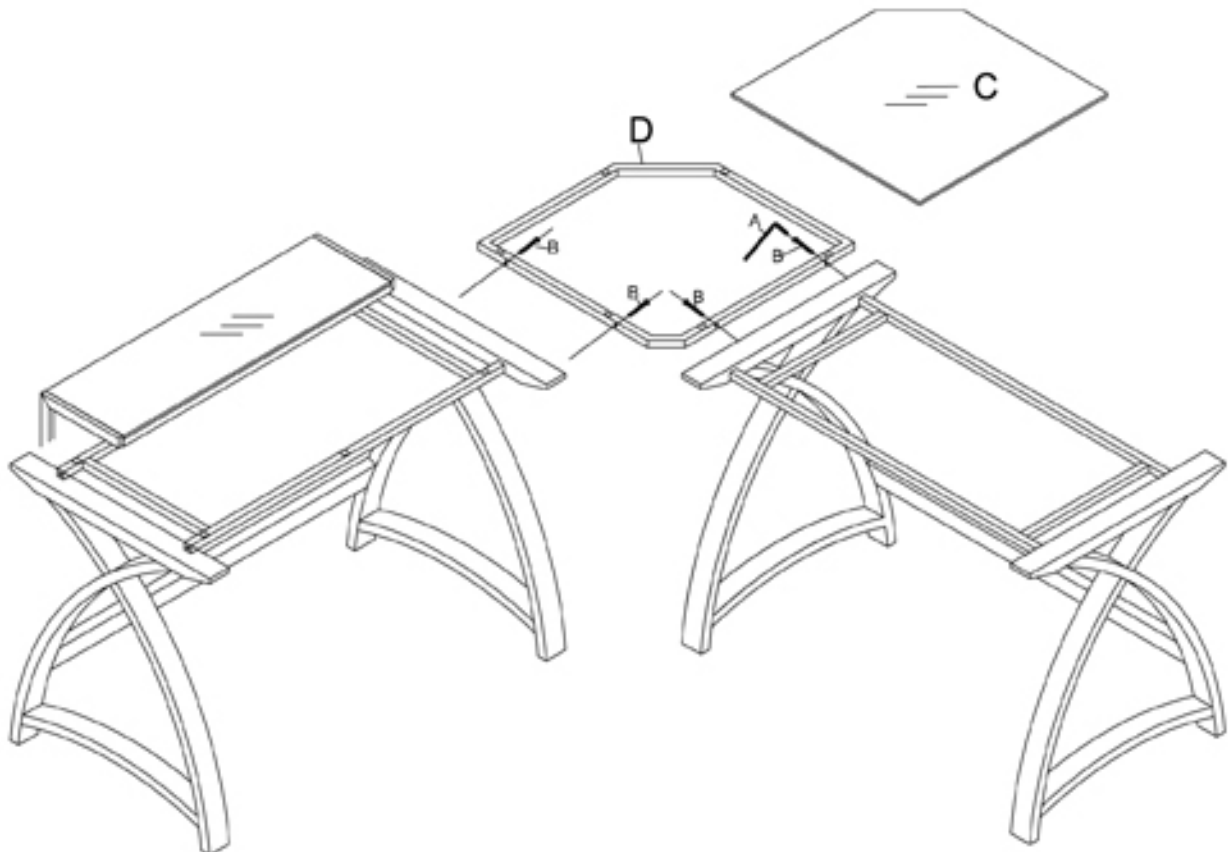
## Assembly Instructions Curve Corner Desk Unit

Help Line 01327 226275

A		M4	1PC
B		1/4"*100mmL	4PCS
C		Top Glass	1PC
D		Metal Frame	1PC
E			
F			
G			
H			
I			
J			



### STEP1



When using the PC201 CC to connect the work table to the PC Desk please follow as below:

1: Replace the 80mm bolts "B" from both the table and the desk and use the 100mm bolts as supplied with the PC201 CC.

2: These bolts fit through the metal frame "D" and screw into the metal frames of both the table and desk.

3: You will no longer require the 4\*80mm bolts that have been replaced by the 100mm bolts.