

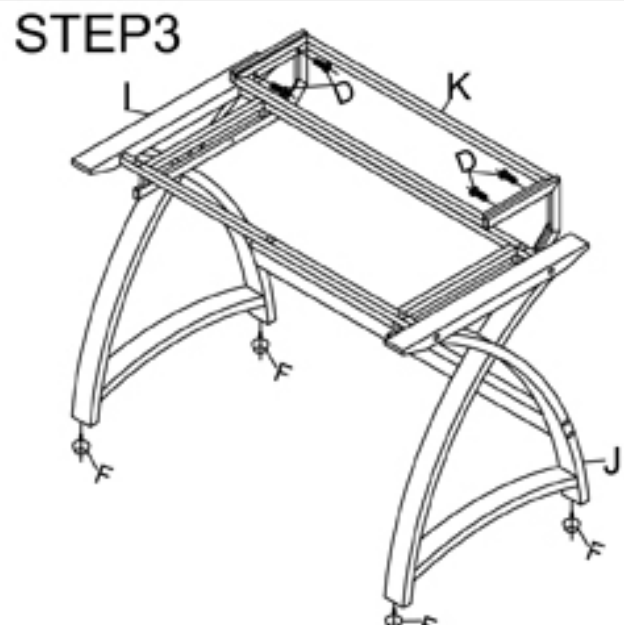
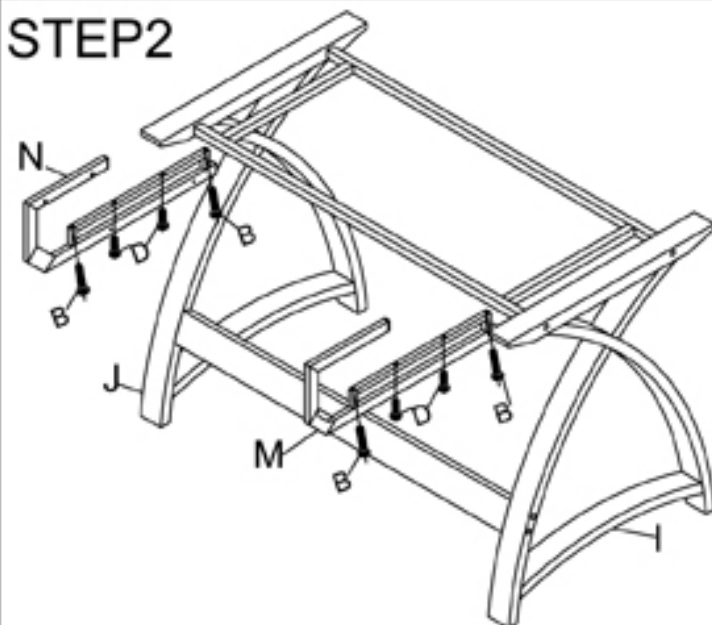
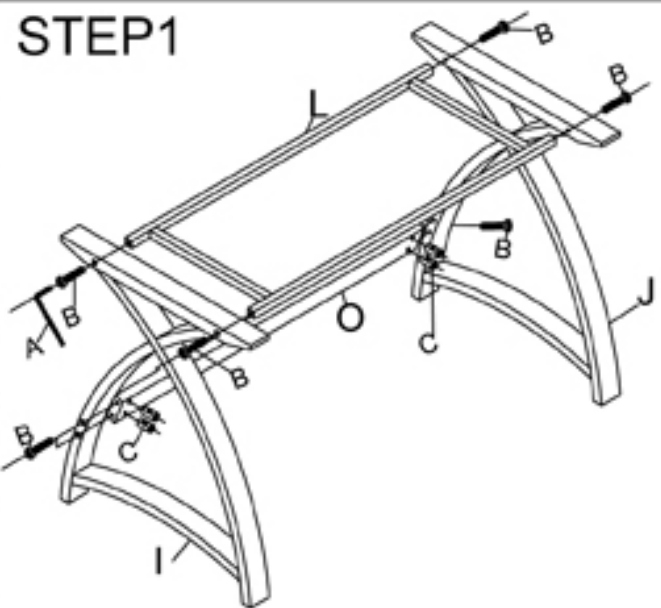























Living Storage

# Assembly Instructions Curve Computer Desk

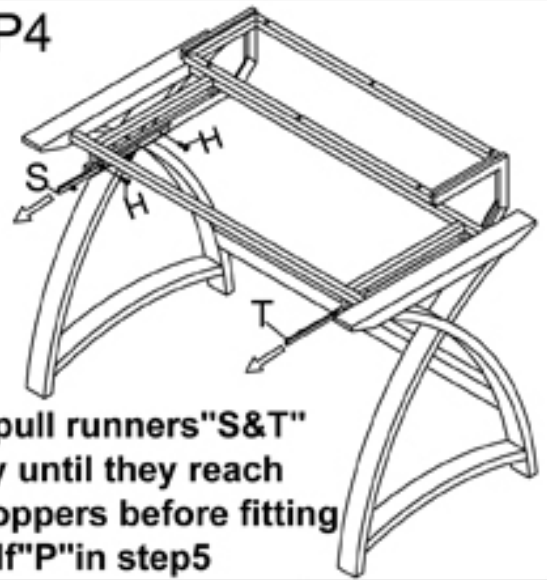
Help Line 01327 226275

A		M4	1PC
B		1/4"*80mmL	12PCS
C		1/4"*15mmL	4PCS
D		1/4"*25mmL	8PCS
E		M4*12mmL	4PCS
F		Ø20*5mm	4PCS
G		Brown end caps	8PCS
H		M4"*10mmL	4PCS
I		Left leg	1PC
J		Right leg	1PC
K		Top metal frame	1PC
L		Middle metal frame	1PC
M		Left metal tube	1PC
N		Right metal tube	1PC
O		Wood cross bar	1PC
P		Keyboard	1PC
Q		Top glass	1PC
R		Middle glass	1PC
S		Left metal slide	1PC
T		Right metal slide	1PC
U		Rubber Pad	6PC



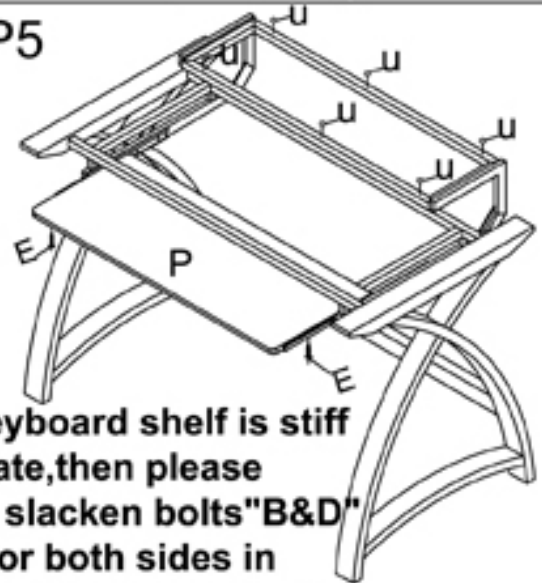
A		M4	1PC
B		1/4"*80mmL	12PCS
C		1/4"*15mmL	4PCS
D		1/4"*25mmL	8PCS
E		M4*12mmL	4PCS
F		Ø20*5mm	4PCS
G		Brown end caps	8PCS
H		M4*10mmL	4PCS
I		Left leg	1PC
J		Right leg	1PC
K		Top metal frame	1PC
L		Middle metal frame	1PC
M		Left metal tube	1PC
N		Right metal tube	1PC
O		Wood cross bar	1PC
P		Keyboard	1PC
Q		Top glass	1PC
R		Middle glass	1PC
S		Left metal slide	1PC
T		Right metal slide	1PC
U		Rubber Pad	6PC

### STEP4



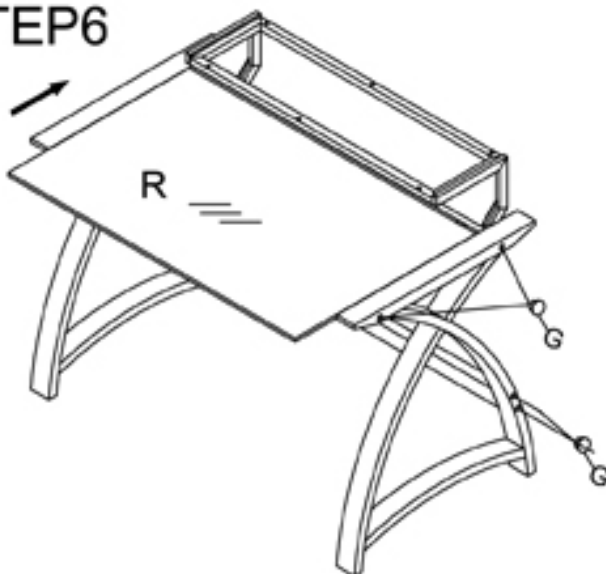
Please pull runners "S&T" out fully until they reach their stoppers before fitting the shelf "P" in step 5

### STEP5



If the keyboard shelf is stiff to operate, then please slightly slacken bolts "B&D" on one or both sides in step 2 until it moves freely.

### STEP6



### STEP7

